



High Performance Hub



2020 catalogue

QUANDO
High Performance Hub

QUANTEA



Welcome to KT world

KT established in 1947,
Taichung, Taiwan

Huaian Factory is established at 2014
and production at 2016.

In order to serve and satisfy more subscribers,
We established the factory in Shenzhen at 1999.

1947

1999

2014 2016

KT holds our Quality Policy "Be the most valuable supplier in bicycle industry"

CONTENTS

01 E-MTB

M5ER / M4ER

02-07 DH/MTB

TWXF / M4TR / MS6F / MS1R / MZ3R
T55F / TM7R / MZ5R / ME6F / ME6R
SN3F / SN3R / MF1F / M4ZR / SN8R / MQ5R

08-09 MTB DISC

T04F / TR8R / MH8F / MR5R
K68F / K68R / TD6R

10-11 MTB V-Brake

QW8F / QT1R / SH1F / SH3R
A15F / AYER / A12F

12 MTB Steel

I22F / I03F / I22R

13 GRAVAL BIKE

XF1F / XF1R / MSCF / SNCR

14 CYCLECROSS BIKE

XA2F / XA2R / XS3F / XS8R

15-17 ROAD

QA1F / QA1R / S99F / Q10R
ZQ1F / QZ1R / S18F / G96R
GP5F / C08R / S15F / S12R

18 FIXIE BIKE

DP6F / DP6R / S76F / S13R

19 FOLDING BIKE

A88F / S88R / A83F / A88R

20-22 BMX/DIRT JUMP

MHGF / M15R / M8AF / M8AR / M10F / M18R
M18F / M89R / S66F / A89R

23 BMX/RACING

SF1F / MA5R / M8GF / M95R

24 BMX/Freecoaster

350F / 355R / 3V5R

25 BMX/Street

I2TF / I2TR / I1TF / I1TR / I04R

26-28 URBAN BIKE

325R / 3A5R / 319R / 305R
762R / 155F / 156F / 16CR / 3D5R

29-31 SPARE PARTS



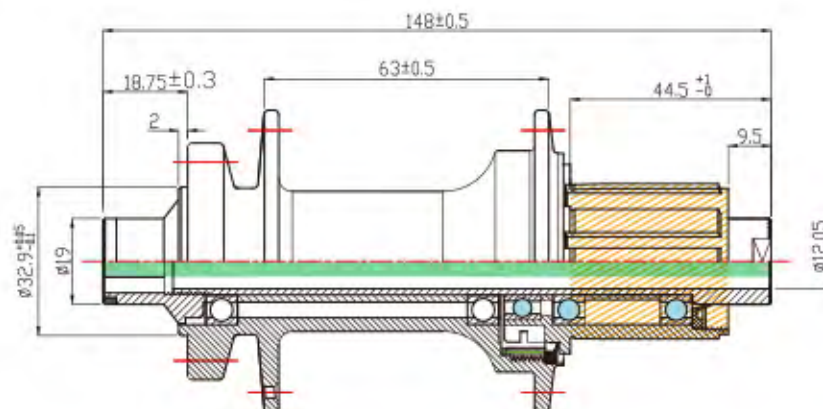
KT-M5ER 8/9/10/11S

- Use: DH, Boost, E-MTB
 Features: Disc Brake Mount
 Body: Alloy 1 Piece Forged. CNC
 Freewheel: Cr-Mo Cassette 4 Pawls and 1spring
 Bearing: Sealed. x 5pcs
 Axle: Cr-Mo Steel
 Axle Dim: 19 (ID12)*148mm
 Weight: 461g
 Spoke: 14G. 32,36
 Flange PCD: 58mm
 Flange Spacing: 63mm
 Option: Exchangable for Sram XD Driver
 KT-M4ER for center lock



Features

- Steel axle and Cr-mo cassette which provides stiffness for the torque carried form central motor
- Cassette with 3 pawls and 3pcs sealed bearings design is fully balancing the engagement that bring stability and durability
- One piece axle and exchangeable cassette for SRAM XD driver for easy maintenance and operation
- Approved by field test and Lab test



KT-TWXF

- Use: Downhill, Boost
 Features: Disc Brake Mount
 Body: Alloy 1 Piece Forged. CNC
 Bearing: Sealed. x 2 pcs
 Axle: 7075 Alloy. Machined
 Axle Dim: ID15*110mm
 Weight: 197g
 Spoke: 14G. 32,36
 Flange PCD: 58mm
 Flange Spacing: 64mm
 Option: MS6F ID15*110mm



KT-M4TR 8/9/10/11S

- Use: Downhill, Boost
 Features: Disc Brake Mount
 Body: Alloy 1 Piece Forged. CNC
 Freewheel: Cr-Mo Cassette 4 Pawls and 1spring
 Bearing: Sealed. x 4pcs
 Axle: Cr-Mo Steel
 Axle Dim: 19 (ID12)*148mm
 Weight: 444g
 Spoke: 14G. 32,36
 Flange PCD: 58mm
 Flange Spacing: 63mm
 Option: Exchangable for Sram XD Driver





KT-MS6F

- Use: Downhill, Boost
 Features: Disc Brake Mount
 Body: Alloy 1 Piece Forged. CNC
 Rolling System: Loose balls
 Axle: Cr-Mo steel
 Axle Dim: $\Phi 15 \times 110$ mm
 Weight: 288g
 Spoke: 14G. 32,36
 Flange PCD: 58mm
 Flange Spacing: 64mm
 Option: TQ5F ID15*110mm for Center lock w/o lock ring



KT-T55F

- Use: Freeride, Downhill, Boost
 Features: Center lock
 Body: Alloy 1 Piece Forged. CNC
 Bearing: Sealed. x 2 pcs
 Axle: 7075 Alloy. Machined
 Axle Dim: ID15*110mm
 Weight: 168g
 Spoke: 14G. 32,36
 Flange PCD: 45mm
 Flange Spacing: 65mm

KT-MS1R 8/9/10/11S

- Use: Downhill, Freeride
 Features: Disc Brake Mount
 Body: Alloy 1 Piece Forged. CNC
 Freewheel: Cr-Mo Cassette 3 Pawls and 1 Spring
 Rolling System: Loose balls
 Axle: Cr-Mo Steel
 Axle Dim: 19*(ID12)*142mm
 Weight: 485g
 Spoke: 14G. 32,36
 Flange PCD: 58mm
 Flange Spacing: 63mm



KT-TM7R Single Speed

- Use: Urban, Belt system
 Features: Center lock
 Body: Alloy 1 Piece Forged. CNC
 Freewheel: Cr-Mo Cassette 5 Pawls and 5 springs
 Bearing: Sealed. x 4pcs
 Axle: 7075 Alloy. Machined
 Axle Dim: M10*135mm*145mm
 Weight: 307g
 Spoke: 14G. 32,36
 Flange PCD: L:45mm/R:54mm
 Flange Spacing: 70mm
 Option: Exchangable for ID12*142mm

KT-MZ3R Sram XD 11S For MTB

- Use: Downhill, Freeride
 Features: Disc Brake Mount
 Body: Alloy 1 Piece Forged. CNC
 Freewheel: Cr-Mo Cassette 3 Pawls and 1 Spring
 Bearing: Sealed. x 2pcs
 Axle: Cr-Mo Steel
 Axle Dim: 19 (ID12)*142mm
 Weight: 457g
 Spoke: 14G. 32,36
 Flange PCD: 58mm
 Flange Spacing: 56mm



KT-MZ5R Single Speed

- Use: Urban, Belt system
 Features: Disc Brake Mount
 Body: Alloy 1 Piece Forged. CNC
 Freewheel: Alloy Cassette 5 Pawls and 5 Spring
 Bearing: Sealed*4pcs
 Axle: Cr-Mo Steel
 Axle Dim: 19(ID12)*142mm
 Weight: 444g
 Spoke: 14G. 32,36
 Flange PCD: 58mm
 Flange Spacing: 78mm



KT-ME6F

Use: XC, Freeride, Commuter
 Features: Disc Brake Mount
 Body: Alloy 1 Piece Forged. CNC
 Freewheel: Sealed. x 2 pcs
 Bearing: 7075 Alloy. Machined
 Axle Dim: M9*100mm*108mm
 Weight: 179g
 Spoke: 14G. 28,32,36
 Flange PCD: L: 58mm
 Flange Spacing: 57.5mm
 Option: Anodized Colors Per Order



KT-ME6R 8/9/10/11S

Use: XC, Freeride, Commuter
 Features: Disc Brake Mount
 Body: Alloy 1 Piece Forged. CNC
 Freewheel: Alloy Cassette 5 Pawls & 5spring
 Bearing: Sealed. x 4pcs
 Axle: 7075 Alloy. Machined
 Axle Dim: M10*135mm*145mm
 Weight: 319g
 Spoke: 14G. 28,32,36
 Flange PCD: 58mm
 Flange Spacing: 58mm
 Option: Anodized Colors Per Order



KT-SN3F

Use: XC, Freeride, Commuter
 Features: Disc Brake Mount
 Body: Alloy 1 Piece Forged. CNC
 Freewheel: Sealed. x 2 pcs
 Bearing: Cr-Mo
 Axle Dim: M9*100mm*108mm
 Weight: 252g
 Spoke: 14G. 28,32,36
 Flange PCD: 58mm
 Flange Spacing: 58mm
 Option: SN6F w/o CNC Disc Mount and Flange



KT-SN3R 8/9/10S

Use: XC, Freeride, Commuter
 Features: Disc Brake Mount
 Body: Alloy 1 Piece Forged. CNC
 Freewheel: Steel Splined 3 Pawls
 Bearing: Sealed. x 2pcs
 Axle: Cr-Mo Steel
 Axle Dim: M10*135mm*145mm
 Weight: 434g
 Spoke: 14G. 28,32,36
 Flange PCD: 58mm
 Flange Spacing: 55mm
 Option: SN6R w/o CNC Disc Mount and Flange



KT-MF1F

Use: Freeride, Downhill
 Features: Disc Brake Mount
 Body: Alloy 1 Piece Forged. CNC
 Bearing: Sealed. x 2 pcs
 Axle: 7075 Alloy. Machined
 Axle Dim: S15*100mm
 Weight: 199g
 Spoke: 14G. 32,36
 Flange PCD: 58mm
 Flange Spacing: 57mm
 Option: Converter axle from ID15 to ID 5.2 w/204Y QR
 MS1F ID15*100mm loose ball
 TZ5F Center lock type



KT-M4ZR 8/9/10/11S

Use: Freeride, Downhill
 Features: Disc Brake Mount
 Body: Alloy 1 Piece Forged. CNC
 Freewheel: Cr-Mo Cassette 3 Pawls and 1 spring
 Bearing: Sealed. x 4pcs
 Axle: Cr-Mo Steel
 Axle Dim: 19 (ID12)*142mm
 Weight: 440g
 Spoke: 14G. 32,36
 Flange PCD: 58mm
 Flange Spacing: 58mm
 Option: 3 In 1 exchangeable converter axle from
 ID12 to ID10 or ID 5.2
 TZ9R Center lock type



KT-SN8R 8/9/10S

Use: Freeride, Downhill
 Features: Disc Brake Mount
 Body: Alloy 1 Piece Forged. CNC
 Freewheel: Cr-Mo Cassette 3 Pawls and 1 Spring
 Bearing: Sealed. x 2pcs
 Axle: Cr-Mo Steel
 Axle Dim: 19(ID12)*142mm
 Weight: 402g
 Spoke: 14G. 32,36
 Flange PCD: 58mm
 Flange Spacing: 55mm
 Option: KT-SX8R ID12*148mm w/o thru axle





KT-MQ5R Sram XD 11S

- Use: **Freeride, DH**
- Features: **Disc Brake Mount**
- Body: **Alloy 1 Piece Forged. CNC**
- Freewheel: **Alloy Cassette 5 Pawls and 5 Springs**
- Bearing: **Sealed. x 4pcs**
- Axle: **Cr-Mo Steel**
- Axle Dim: **15 (ID12)*142mm/
(ID5.2)M10*135mm*145mm**
- Weight: **362g**
- Spoke: **14G. 32,36**
- Flange PCD: **58mm**
- Flange Spacing: **58mm**
- Option: **3 In 1 exchangeable converter axle from ID12 to ID10 or ID 5.2
Shimano cassette body 11S exchangeable**



KT-T04F

- Use: **XC, Commuter, Urban**
- Features: **Disc Brake Mount**
- Body: **Alloy 1 Piece Forged. CNC**
- Rolling System: **Loose Balls**
- Axle: **Cr-Mo Steel**
- Axle Dim: **M9*100mm*108mm**
- Weight: **245g**
- Spoke: **14G. 28,32,36**
- Flange PCD: **L: 57mm/R: 45mm**
- Flange Spacing: **53.25mm**



KT-TR8R 8/9/10S

- Use: **XC, Commuter, Urban**
- Features: **Disc Brake Mount**
- Body: **Alloy 1 Piece Forged. CNC**
- Freewheel: **Steel Splined 3 Pawls**
- Rolling System: **Loose Balls**
- Axle: **Cr-Mo Steel**
- Axle Dim: **M10*135mm*145mm**
- Weight: **441g**
- Spoke: **14G. 28,32,36**
- Flange PCD: **L: 57mm/R: 45mm**
- Flange Spacing: **56.5mm**



KT-MH8F

- Use: **XC, Commuter, Urban**
- Features: **Disc Brake Mount**
- Body: **Alloy 1 Piece Forged. CNC**
- Rolling System: **Rolling System: Loose Balls**
- Axle: **Cr-Mo Steel**
- Axle Dim: **M9*100mm*108mm**
- Weight: **260g**
- Spoke: **14G. 28,32,36**
- Flange PCD: **58mm**
- Flange Spacing: **57.5mm**



KT-MR5R 8/9/10S

- Use: **XC, Commuter, Urban**
- Features: **Disc Brake Mount**
- Body: **Alloy 1 Piece Forged. CNC**
- Freewheel: **Steel Splined 3 Pawls**
- Rolling System: **Rolling System: Loose Balls**
- Axle: **Cr-Mo Steel**
- Axle Dim: **M10*135mm*145mm**
- Weight: **463g**
- Spoke: **14G. 28,32,36**
- Flange PCD: **58mm**
- Flange Spacing: **56mm**

**KT-K68F**

Use: XC, Commuter, Urban
 Features: Disc Brake Mount
 Body: Alloy 1 Piece Forged. CNC
 Rolling System: Loose Balls
 Axle: Cr-Mo Steel
 Axle Dim: M9*100mm*108mm
 Weight: 263g
 Spoke: 14G. 28,32,36
 Flange PCD: 58mm
 Flange Spacing: 53.25mm
 Option: K08F w/CNC Disc Mount
 K88F 3/8" Axle

**KT-K68R 8/9/10S**

Use: XC, Commuter, Urban
 Features: Disc Brake Mount
 Body: Alloy 1 Piece Forged. CNC
 Freewheel: Steel Screwing 2 Pawls
 Rolling System: Loose Balls
 Axle: Cr-Mo Steel
 Axle Dim: M10*135mm*145mm
 Weight: 462g
 Spoke: 14G. 28,32,36
 Flange PCD: 57mm
 Flange Spacing: 56.5mm
 Option: K08R w/CNC Disc Mount
 K88R 3/8" Axle
 K69R for 11spd

**KT-TD6R 7S**

Use: XC, Commuter, Urban
 Features: Disc Brake Mount
 Body: Alloy 1 Piece Forged. CNC
 Freewheel: Thread Type
 Rolling System: Loose Balls
 Axle: Cr-Mo Steel
 Axle Dim: 3/8"135mm*175mm
 Weight: 362g
 Spoke: 14G. 28,32,36
 Flange PCD: 58mm
 Flange Spacing: 56.75mm
 Option: TD3R-3/8"114mm*170mm 1S
 TDAR-3/8" Axle 8/9S
 TD7R-M10 QR Type 7S
 TD8R-M10 QR Type 8/9S

**KT-C99F**

Use: XC, Commuter, Urban
 Features: V-Brake
 Body: Alloy 1 Piece Forged. CNC
 Bearing: Sealed. x 2 pcs
 Axle: 7075 Alloy. Machined
 Axle Dim: M9*100mm*108mm
 Weight: 149g
 Spoke: 14G. 28,32,36
 Flange PCD: 40mm
 Flange Spacing: 75mm
 Option: Anodized Colors Per Order

**KT-CT1R 8/9/10S**

Use: XC, Commuter, Urban
 Features: V-Brake
 Body: Alloy 1 Piece Forged. CNC
 Freewheel: Steel Splined 3 Pawls
 Bearing: Sealed. x 2pcs
 Axle: 7075 Alloy. Machined
 Axle Dim: M10*135mm*145mm
 Weight: 377g
 Spoke: 14G. 28,32,36
 Flange PCD: 45mm
 Flange Spacing: 57mm
 Option: CT3R-3/8" Axle

**KT-SH1F**

Use: Economic XC, Commuter, Urban
 Features: V-Brake
 Body: Body: Alloy 1 Piece Forged. CNC
 Rolling System: Rolling System: Loose Balls
 Axle: Cr-Mo Steel
 Axle Dim: M9*100mm*108mm
 Weight: 162g
 Spoke: 14G. 24,28,32,36
 Flange PCD: 38mm
 Flange Spacing: 71.5mm

**KT-SH3R 8/9/10S**

Use: XC, Commuter, Urban
 Features: V-Brake
 Body: Alloy 1 Piece Forged. CNC
 Freewheel: Freewheel: Steel Screwing 2 Pawls
 Rolling System: Loose Balls
 Axle: Cr-Mo Steel
 Axle Dim: M10*135mm*145mm
 Weight: 412g
 Spoke: 14G. 28,32,36
 Flange PCD: 45mm
 Flange Spacing: 58.5mm





KT-A15F

Use: **Economic XC, Commuter, Urban**
 Features: **V-Brake**
 Body: **Alloy 1 Piece Forged. CNC**
 Rolling System: **Loose Balls**
 Axle: **Cr-Mo Steel**
 Axle Dim: **M9*100mm*108mm**
 Weight: **153g**
 Spoke: **14G. 28,32,36**
 Flange PCD: **38mm**
 Flange Spacing: **71.5mm**
 Option: **A55F-Rubber Seal**
A16F-3/8" Axle w/Steel Cap
A56F-3/8" Axle, Rubber Seal
A14F-M9 Solid Axle



KT-AYER 8/9/10S

Use: **XC, Commuter, Urban**
 Features: **V-Brake**
 Body: **Alloy 1 Piece Forged. CNC**
 Freewheel: **Freewheel: Steel Screwing 2 Pawls**
 Rolling System: **Loose Balls**
 Axle: **Cr-Mo Steel**
 Axle Dim: **M10*135mm*145mm**
 Weight: **412g**
 Spoke: **14G. 28,32,36**
 Flange PCD: **45mm**
 Flange Spacing: **58.5mm**
 Option: **AZER-M10 QR Type w/Rubber Seal 8/9/10S**
AZDR-3/8" Axle w/Rubber Seal 8/9/10S
AYDR-3/8" Axle w/Steel Cap 8/9/10S
AY1R-3/8" Axle w/Steel Cap 7S
AZ1R-3/8" Axle w/Rubber Seal 7S
AZ2R-M10 QR Type w/Rubber Seal 7S
AY2R-M10 QR Type w/Steel Cap 7S



KT-A12R 6/7S

Use: **Economic XC, Commuter, Urban**
 Features: **V-Brake**
 Body: **Alloy 1 Piece Forged. CNC**
 Freewheel: **Thread Type**
 Rolling System: **Loose Balls**
 Axle: **Cr-Mo Steel**
 Axle Dim: **M10*135mm*145mm**
 Weight: **257g**
 Spoke: **14G. 24,28,32,36**
 Flange PCD: **45mm**
 Flange Spacing: **57mm**
 Option: **A11R-3/8" Axle 6/7S**
A13R-3/8" Axle Single Speed
A1HR-3/8" Axle 8S
A1ER-M10 QR Type 8S
A51R-3/8" Axle w/Rubber Seal 6/7S
A52R-M10 QR Type w/Rubber Seal 6/7S
A5ER-M10 QR Type w/Rubber Seal 8S



KT-122F

Use: **Economic, Commuter, Urban**
 Features: **V-Brake**
 Body: **Steel**
 Rolling System: **Balls Retainer**
 Axle: **S45C Steel**
 Weight: **250g**
 Spoke: **14G. 16,20,28,36**
 Flange PCD: **38mm**
 Flange Spacing: **69mm**
 Option: **122FQR-M9 QR Type Cr-Mo Axle**
132F 48H



KT-103F

Use: **Economic, Kids (<= 20")**
 Features: **V-Brake**
 Body: **Steel**
 Rolling System: **Balls Retainer**
 Axle: **S45C Steel**
 Axle Dim: **5/16"*83mm*120mm**
 Weight: **178g**
 Spoke: **14G. 16,20,28**
 Flange PCD: **34mm**
 Flange Spacing: **64mm**
 Option: **104F-Flange Space 74mm**
183F-3/8" Axle Flange Space 64mm
134F-3/8" Axle Flange Space 74mm



KT-122R 6/7S

Use: **Economic, Commuter, Urban**
 Features: **V-Brake**
 Body: **Steel**
 Freewheel: **Thread Type**
 Rolling System: **Balls Retainer**
 Axle: **S45C Steel**
 Axle Dim: **3/8"*135mm*175mm**
 Weight: **385g**
 Spoke: **14G. 16,20,28,36**
 Flange PCD: **45mm**
 Flange Spacing: **56mm**
 Option: **122RQR-M10 QR Type Cr-Mo Axle**
132R 48H





KT-XF1F-12

Use: Freeride, Gravel bike
 Features: Disc Brake Mount
 Body: Alloy 1 Piece Forged. CNC
 Bearing: Sealed. x 2 pcs
 Axle: 7075 Alloy. Machined
 Axle Dim: $\text{§}1\text{D}12^*100\text{mm}$
 Weight: 69g
 Spoke: 14G. 32,36
 Flange PCD: R:58mm/L:45mm
 Flange Spacing: 58mm
 Option: KT-XF1F ID15*100mm



KT-XA2F

Use: Road, Commuter, Urban, Cyclocross
 Features: Disc Brake Mount
 Body: Alloy 1 Piece Forged. CNC
 Bearing: Sealed. x 2 pcs
 Axle: 7075 Alloy Machined
 Axle Dim: $\text{M}9^*100\text{mm}^*108\text{mm}$
 Weight: 150g
 Spoke: 14G. 28,32,36
 Flange PCD: L:58mm/R:45mm
 Flange Spacing: 57.5mm
 Option: Anodized Colors Per Order

KT-XF4R 115

Use: Freeride, Gravel bike
 Features: Disc Brake Mount
 Body: Alloy 1 Piece Forged. CNC
 Freewheel: Cr-Mo Cassette 3 Pawls and 1 spring
 Bearing: Sealed. x 4pcs
 Axle: Cr-Mo Steel
 Axle Dim: 19 (ID12)*142mm
 Weight: 377g
 Spoke: 14G. 32,36
 Flange PCD: R:58mm/L:48mm
 Flange Spacing: 57mm



KT-XA2R 8/9/10S

Use: Road, Commuter, Urban, Cyclocross
 Features: Disc Brake Mount
 Body: Alloy 1 Piece Forged. CNC
 Freewheel: Alloy cassette 3 Pawls and 3 Springs
 Bearing: Sealed. x 4pcs
 Axle: 7075 Alloy Machined
 Axle Dim: $\text{M}10^*130\text{mm}^*140\text{mm}$
 Weight: 280g
 Spoke: 14G. 28,32,36
 Flange PCD: L: 58mm/R: 45mm
 Flange Spacing: 52mm
 Option: XA5R-OLD 135mm*145mm
 XC5R Shimano 11s

KT-MSCF

Use: Freeride, Gravel bike
 Features: Disc Brake Mount
 Body: Alloy 1 Piece Forged. CNC
 Bearing: Loose balls
 Axle: Cr-Mo Steel
 Axle Dim: $\text{§}12^*100\text{mm}$
 Weight: 244g
 Spoke: 14G. 32,36
 Flange PCD: R:58mm/L:45mm
 Flange Spacing: 58mm
 Option: KT-MSEF center lock model



KT-XS3F

Use: Road, Commuter, Urban
 Features: Disc Brake Mount
 Body: Alloy 1 Piece Forged. CNC
 Bearing: Loose Balls
 Axle: Cr-Mo Steel
 Axle Dim: $\text{M}9^*100\text{mm}^*108\text{mm}$
 Weight: 228g
 Spoke: 14G. 28,36
 Flange PCD: 58mm
 Flange Spacing: 57.5mm
 Option: Anodized Colors Per Order

KT-SNCR 115

Use: Freeride, Gravel bike
 Features: Disc Brake Mount
 Body: Alloy 1 Piece Forged. CNC
 Freewheel: Cr-Mo Cassette 3 Pawls and 1 spring
 Bearing: Loose balls
 Axle: Cr-Mo Steel
 Axle Dim: 19 (ID12)*142mm
 Weight: 433g
 Spoke: 14G. 32,36
 Flange PCD: R:58mm/L:48mm
 Flange Spacing: 57mm
 Option: KT-SNDR center lock model



KT-XS8R 115

Use: Road, Commuter, Urban
 Features: Disc Brake Mount
 Body: Alloy 1 Piece Forged. CNC
 Freewheel: Steel Splined 3 Pawls
 Rolling System: Rolling System: Loose Balls
 Axle: Cr-Mo Steel
 Axle Dim: $\text{M}10^*135\text{mm}^*145\text{mm}$
 Weight: 431g
 Spoke: 14G. 24,28,36
 Flange PCD: 58mm
 Flange Spacing: 52mm
 Option: XS3R $\text{M}10^*130^*140$ 8/9/10spd
 XS9R $\text{M}10^*130^*140$ 11spd



KT-QA1F

Use: Road, Commuter, Urban
 Features: V-Brake
 Body: Alloy 1 Piece Forged. CNC
 Bearing: Bearing: Sealed. x 2 pcs
 Axle: 7075 Alloy. Machined
 Axle Dim: M9*100mm*108mm
 Weight: 79g
 Spoke: 14G. 20,24,28
 Flange PCD: 34mm
 Flange Spacing: 74mm
 Option: Anodized Colors Per Order



KT-QA1R 8/9/10/11S

Use: Road, Commuter, Urban
 Features: V-Brake
 Body: Alloy 1 Piece Forged. CNC
 Freewheel: Freewheel: Alloy Cassette 3 Pawls and 3 Springs
 Bearing: Sealed. x 4 pcs
 Axle: 7075 Alloy. Machined
 Axle Dim: M10*130mm*140mm
 Weight: 255g
 Spoke: 14G. 24,28
 Flange PCD: 48mm
 Flange Spacing: 57mm
 Option: QB1R-Bearing x 2pcs w/Steel Splined Type 3 Pawls
 Anodized Colors Per Order



KT-599F

Use: Road, Commuter, Urban
 Features: V-Brake
 Body: Alloy 1 Piece Forged. CNC
 Bearing: Sealed. x 2 pcs
 Axle: 7075 Alloy. Machined
 Weight: 125g
 Spoke: 14G. 24,28,36
 Flange PCD: 40mm
 Flange Spacing: 74mm
 Option: Anodized Colors Per Order



KT-GT2R 11S

Use: Road, Commuter, Urban
 Features: V
 Body: Alloy 1 Piece Forged. CNC
 Freewheel: Steel Splined 3 Pawls
 Bearing: Sealed. x 2 pcs
 Axle: 7075 Alloy. Machined
 Axle Dim: M10*130mm*140mm
 Weight: 363g
 Spoke: 14G. 28,32,36
 Flange PCD: 46mm
 Flange Spacing: 50mm
 Option: Anodized Colors Per Order



-Brake



KT-QZ1F

Use: Road, Commuter, Urban
 Features: V-Brake
 Body: Alloy 1 Piece Forged. CNC
 Rolling System: Loose Balls
 Axle: Cr-Mo Steel
 Axle Dim: M9*100mm*108mm
 Weight: 143g
 Spoke: 14G. 24,28,32
 Flange PCD: 40mm
 Flange Spacing: 74mm



KT-QZ1R 11S

Use: Road, Commuter, Urban
 Features: V-Brake
 Body: Alloy 1 Piece Forged. CNC
 Freewheel: Steel Splined 3 Pawls
 Rolling System: Loose Balls
 Axle: Cr-Mo Steel
 Axle Dim: M10*130mm*140mm
 Weight: 368g
 Spoke: 14G. 28,32
 Flange PCD: 45mm
 Flange Spacing: 57mm



KT-51BF

Use: Road, Commuter, Urban
 Features: V-Brake
 Body: Alloy 1 Piece Forged. CNC
 Rolling System: Burnished Loose Balls
 Axle: Cr-Mo Steel
 Axle Dim: M9*100mm*108mm
 Weight: 155g
 Spoke: 14G. 24,28
 Flange PCD: 40mm
 Flange Spacing: 74mm
 Option: Anodized Colors Per Order



KT-G5ER 8/9/10S

Use: Road, Commuter, Urban
 Features: V-Brake
 Body: Alloy 1 Piece Forged. CNC
 Freewheel: Freewheel: Steel Screwing 2 Pawls
 Rolling System: Loose Balls
 Axle: Cr-Mo Steel
 Axle Dim: M10*130mm*140mm
 Weight: 415g
 Spoke: 14G. 24,28,32,36
 Flange PCD: 45mm
 Flange Spacing: 57mm
 Option: G1ER-w/Steel Cap 8/9/10S
 G12R-w/Steel Cap 7S
 G52R-w/Rubber Seal 7S
 GTER 11spd





KT-GP5F

Use: Road, Commuter, Urban
 Features: V-Brake
 Body: Alloy 1 Piece Forged. CNC
 Rolling System: Burnished Loose Balls
 Axle: Cr-Mo Steel
 Axle Dim: M9*100mm*108mm
 Weight: 125.5g
 Spoke: 14G. 24,28
 Flange PCD: 34mm
 Flange Spacing: 72mm
 Option: G15F-Steel Dust Cap
 G55F-Rubber Seal



KT-C08R Campy 115

Use: CAMPY Road, Commuter, Urban,
 Features: V-Brake
 Body: Alloy 1 Piece Forged. CNC
 Freewheel: steel Splined 3 Pawls
 Rolling System: Loose Balls
 Axle: Cr-Mo Steel
 Axle Dim: M10*130mm*140mm
 Weight: 441g
 Spoke: 14G. 32,36
 Flange PCD: 51.5mm
 Flange Spacing: 57.6mm



KT-515F

Use: Economic Road, Commuter, Urban
 Features: V-Brake
 Body: Alloy 1 Piece Forged. CNC
 Rolling System: Loose Balls
 Axle: Cr-Mo Steel
 Axle Dim: M9*100mm*108mm
 Weight: 148g
 Spoke: 14G. 24,28,36
 Flange PCD: 40mm
 Flange Spacing: 74mm
 Option: 516F-3/8" Axle w/Steel Cap
 566F-3/8" Axle w/Rubber Seal



KT-512R 6/7S

Use: Economic Road, Commuter, Urban
 Features: V-Brake
 Body: Alloy 1 Piece Forged. CNC
 Freewheel: Thread Type
 Rolling System: Loose Balls
 Axle: Cr-Mo Steel
 Axle Dim: M10*130mm*140mm
 Weight: 251g
 Spoke: 14G. 28,32,36
 Flange PCD: 45mm
 Flange Spacing: 57mm
 Option: 511R-3/8 Axle 6/7S
 513R-3/8 Axle Single Speed
 551R-3/8 Axle w/Rubber Seal 6/7S
 552R-M10 QR Type w/Rubber Seal 6/7S



KT-DP6F

Use: Fixie, Track, Commuter
 Features: High Flange
 Body: Alloy 1 Piece Forged. CNC
 Bearing: Sealed. x 2 pcs
 Axle: Cr-Mo Steel
 Axle Dim: 3/8"*100mm*140mm
 Weight: 290g
 Spoke: 14G. 28,32,36
 Flange PCD: 62.5mm
 Flange Spacing: 70.5mm
 Option: DP7F-Loose Balls
 DPBF-Loose Balls w/o CNC Flange
 DS9F-Loose Balls M9 Solid Axle
 DP5F-M9 QR Type
 DK6F-Bolts Type



KT-DP6R Single Speed

Use: Fixie, Track, Commuter
 Features: High Flange
 Body: Alloy 1 Piece Forged. CNC
 Freewheel: Thread Type L: Double Thread/R: B.C. 1.37*24T
 Bearing: Sealed. x 2 pcs
 Axle: Cr-Mo Steel
 Axle Dim: 3/8"*120mm*160mm
 Weight: 421g
 Spoke: 14G. 28,32,36
 Flange PCD: 62.5mm
 Flange Spacing: 67mm
 Option: DP7R-Loose Balls
 DPBR-Loose Balls w/o CNC Flange
 DS9R-Loose Balls M10 Solid Axle
 DP5R-M10 QR Type
 DK6R-Bolts Type



KT-576F

Use: Fixie, Track, Commuter
 Features: Low Flange
 Body: Alloy 1 Piece Forged. CNC
 Bearing: Sealed. x 2 pcs
 Axle: Cr-Mo Steel
 Axle Dim: 3/8"*100mm*140mm
 Weight: 218g
 Spoke: 14G. 24,28,32,36
 Flange PCD: 40mm
 Flange Spacing: 74mm
 Option: 566F-Loose Balls



KT-513R Single Speed

Use: Use: Fixie, Track, Commuter
 Features: Features: Low Flange
 Body: Body: Alloy 1 Piece Forged. CNC
 Bearing: Freewheel: Thread Type
 L: Double Thread/R: B.C. 1.37*24T
 Axle: Bearing: Sealed. x 2 pcs
 Axle Dim: Axle: Cr-Mo Steel
 Weight: Weight: 288g
 Spoke: Spoke: 14G. 28,32,36
 Flange PCD: Flange PCD: 45mm
 Flange Spacing: Flange Spacing: 57mm
 Option: Option: 5J3R-Loose Balls



KT-A8BF

Use: **Folding, Kids, Alternative**
 Features: **Caliper-Brake**
 Body: **Alloy 1 Piece Forged. CNC**
 Bearing: **Sealed. x 2 pcs**
 Axle: **7075 Alloy. Machined**
 Axle Dim: **M9*74mm*82mm**
 Weight: **73g**
 Spoke: **14G. 24,28**
 Flange PCD: **34mm**
 Flange Spacing: **50mm**
 Option: **A5BF M9*65mm*73mm**



KT-MHGF

Use: **XC, Freeride, Commuter**
 Features: **Disc Brake Mount M6 Bolt Type**
 Body: **Alloy 1 Piece Forged. CNC**
 Bearing: **Sealed. x 2 pcs**
 Axle: **7075 Alloy. Machined**
 Axle Dim: **M9*100mm*108mm**
 Weight: **237g**
 Spoke: **14G. 28,32,36**
 Flange PCD: **58mm**
 Flange Spacing: **57.5mm**
 Option: **Anodized Colors Per Order**



KT-588R Single Speed

Use: **Folding, Kids, Alternative**
 Features: **Caliper-Brake**
 Body: **Alloy 1 Piece Forged. CNC**
 Freewheel: **9T Driver*2 Pawls**
 Bearing: **Sealed. x 4 pcs**
 Axle: **CrMo Steel**
 Axle Dim: **3/8"*80mm*118mm**
 Weight: **278g**
 Spoke: **14G. 24,28**
 Flange PCD: **45mm**
 Flange Spacing: **48mm**
 Option: **Anodized Colors Per Order**



KT-A8QF

Use: **Folding, Kids, Alternative**
 Features: **Caliper-Brake M6 Bolt Type**
 Body: **Alloy 1 Piece Forged. CNC**
 Rolling System: **Loose Balls**
 Axle: **Cr-Mo Steel**
 Axle Dim: **M10*83mm*91mm**
 Weight: **140g**
 Spoke: **14G. 24,28**
 Flange PCD: **40mm**
 Flange Spacing: **50mm**
 Option: **A86F-3/8" Axle**
A85F-M9 QR Type



KT-A86R Single Speed

Use: **Folding, Kids, Alternative**
 Features: **Caliper-Brake**
 Body: **Alloy 1 Piece Forged. CNC**
 Freewheel: **11T Driver*2 Pawls**
 Rolling System: **Loose Balls**
 Axle: **S45C Steel**
 Axle Dim: **3/8"*85mm*130mm**
 Weight: **395g**
 Spoke: **14G. 24,28**
 Flange PCD: **45mm**
 Flange Spacing: **48mm**
 Option: **A8QR M6 Bolt Type**



KT-M15R Single Speed

Use: **DH, XC, Freeride, Commuter**
 Features: **Disc Brake Mount**
 Body: **Alloy 1 Piece Forged. CNC**
 Freewheel: **Freehub body* 5Pawls and 5 Spring w/12T-18T cog**
 Bearing: **Sealed. x 4 pcs**
 Axle: **Cr-Mo Steel**
 Axle Dim: **3/8"*135mm*175mm**
 Weight: **498g**
 Spoke: **14G. 32,36**
 Flange PCD: **58mm**
 Flange Spacing: **75.5mm**





KT-MBAF

Use: **Street, Vert**
 Features: **Bolt Nut Type**
 Body: **Alloy 1 Piece Forged. CNC**
 Bearing: **Sealed. x 2 pcs**
 Axle: **7075 Alloy. Machined**
 Axle Dim: **3/8"×24T Axle Bolts*100mm**
 Weight: **224g**
 Spoke: **14G. 32,36**
 Flange PCD: **45mm**
 Flange Spacing: **65mm**
 Option: **MBJF-Cr-Mo 3/8"×24T Axle Bolts*100mm**



KT-MBAR Single Speed

Use: **Street, Vert**
 Features: **One-Piece Driver W/Bolt Nut Type**
 Body: **Alloy 1 Piece Forged. CNC**
 Freewheel: **Freewheel: 9T Driver*4 Pawls**
 Bearing: **Sealed. x 5pcs**
 Axle: **7075 Alloy. Machined**
 Axle Dim: **M14 (3/8"×24T Axle Bolts)*110mm*120mm**
 Weight: **391g**
 Spoke: **14G. 32,36**
 Flange PCD: **L: 51.5mm/R:57mm**
 Flange Spacing: **57mm**
 Option: **MBCR-Cr-Mo Axle**



KT-M10F

Use: **Street, Freestyle**
 Features: **Bolt Nut type**
 Body: **Alloy 1 Piece Forged. CNC**
 Rolling System: **Loose Balls**
 Axle: **Cr-Mo Steel**
 Axle Dim: **3/8"×24T Axle Bolts*100mm**
 Weight: **224g**
 Spoke: **14G. 32,36**
 Flange PCD: **45mm**
 Flange Spacing: **Flange Spacing: 65mm**
 Option: **Anodized Colors Per Order**



KT-M18R Single Speed

Use: **Street, Vert**
 Features: **One-Piece Driver W/Bolt Nut Type**
 Body: **Alloy 1 Piece Forged. CNC**
 Freewheel: **9T Driver*4 Pawls**
 Rolling System: **Loose Balls+1 Seal Bearing**
 Axle: **Cr-Mo Steel**
 Axle Dim: **M14 (3/8"×24T Axle Bolts)*110mm*120mm**
 Weight: **557g**
 Spoke: **14G. 32,36,48**
 Flange PCD: **57mm**
 Flange Spacing: **57mm**
 Option: **Anodized Color Per Order**



KT-M18F

Use: **Street, Freestyle**
 Features: **V-Brake**
 Body: **Alloy 1 Piece Forged. CNC**
 Rolling System: **Loose Balls**
 Axle: **Cr-Mo Steel**
 Axle Dim: **M14*100mm*170mm**
 Weight: **364g**
 Spoke: **14G. 36**
 Flange PCD: **45mm**
 Flange Spacing: **72mm**
 Option: **M17F-3/8" Axle**



KT-M89R Single Speed

Use: **Street, Freestyle**
 Features: **One-Piece Driver**
 Body: **Alloy 1 Piece Forged. CNC**
 Freewheel: **9T Driver*4 Pawls**
 Rolling System: **Loose Balls+1 Seal Bearing**
 Axle: **Cr-Mo Steel**
 Axle Dim: **M14*110mm*180mm**
 Weight: **648g**
 Spoke: **14G. 36,48**
 Flange PCD: **57mm**
 Flange Spacing: **57mm**
 Option: **M83R-3/8" Axle**



KT-566F

Use: **Street, Freestyle**
 Features: **V-Brake**
 Body: **Alloy 1 Piece Forged. CNC**
 Rolling System: **Loose Balls**
 Axle: **Cr-Mo Steel**
 Axle Dim: **3/8"×100mm*160mm**
 Weight: **155g**
 Spoke: **14G. 24,28,36**
 Flange PCD: **40mm**
 Flange Spacing: **74mm**
 Option: **516F-3/8" Axle w/Steel Cap**



KT-A89R Single Speed

Use: **Street, Freestyle**
 Features: **One-Piece Driver**
 Body: **Alloy 1 Piece Forged. CNC**
 Freewheel: **9T Driver*3 Pawls**
 Rolling System: **Loose Balls+1 Seal Bearing**
 Axle: **Cr-Mo Steel**
 Axle Dim: **M14*110mm*160mm/175mm**
 Weight: **538g**
 Spoke: **14G. 36**
 Flange PCD: **52mm**
 Flange Spacing: **57mm**
 Option: **KT-ADJR Seal Bearing Type**
KT-ABJR Seal Bearing Bolt Type





KT-AF1F

Use: **BMX Race**
 Features: **V-Brake**
 Body: **Alloy 1 Piece Forged. CNC**
 Bearing: **Sealed. x 2 pcs**
 Axle: **7075 Alloy Machined**
 Axle Dim: **ID20*100mm**
 Weight: **151g**
 Spoke: **14G. 32,36**
 Flange PCD: **46mm**
 Flange Spacing: **72mm**
 Option: **Anodized Colors Per Order**



KT-MA5R Single Speed

Use: **BMX Race**
 Features: **V-Brake**
 Body: **Alloy 1 Piece Forged. CNC**
 Freewheel: **Alloy Cassette 5 Pawls and 5 Springs**
 Bearing: **Sealed. x 5 pcs**
 Axle: **7075 Alloy Machined**
 Axle Dim: **ID15*110mm**
 Weight: **301g**
 Spoke: **14G. 32,36**
 Flange PCD: **58**
 Flange Spacing: **58**
 Option: **Anodized Colors Per Order**



KT-M6GF

Use: **BMX (Race), Street**
 Features: **V-Brake**
 Body: **Alloy 1 Piece Forged. CNC**
 Bearing: **Sealed. x 2 pcs**
 Axle: **Cr-Mo Steel**
 Axle Dim: **3/8" * 100mm * 140mm**
 Weight: **269g**
 Spoke: **14G. 28,32,36**
 Flange PCD: **38mm**
 Flange Spacing: **67mm**
 Option: **Anodized Colors Per Order**



KT-M95R Single Speed

Use: **Street, Freestyle, Racing**
 Features: **Cassette Single Speed**
 Body: **Alloy 1 Piece Forged. CNC**
 Freewheel: **Steel 4 Pawls, 12T-18T Cogs**
 Bearing: **Sealed. x 4 pcs**
 Axle: **Cr-Mo Steel**
 Axle Dim: **M14*110mm*175mm**
 Weight: **522g**
 Spoke: **14G. 36H**
 Flange PCD: **46mm**
 Flange Spacing: **57.4mm**
 Option: **M98R-3/8" Axle**
M9ER-M6 Bolts Type



KT-350F

Use: **Street, Freestyle**
 Features: **V-Brake**
 Body: **Alloy 1 Piece Forged. CNC**
 Rolling System: **Rolling System: Loose Balls**
 Axle: **Cr-Mo Steel**
 Axle Dim: **M14*100mm*170mm**
 Weight: **466g**
 Spoke: **14G. 36,48**
 Flange PCD: **45mm**
 Flange Spacing: **71mm**
 Option: **330F-3/8" Axle**



KT-355R Single Speed

Use: **Street, Flatland, Commuter, Alternative**
 Features: **Free coaster driver**
 Body: **Alloy 1 Piece Forged. CNC**
 Freewheel: **Freewheel: Sprocket 14T/16T**
 Rolling System: **Rolling System: Loose Balls**
 Axle: **Cr-Mo Steel**
 Axle Dim: **M14*110mm*170mm**
 Weight: **740g**
 Spoke: **14G. 36,48**
 Flange PCD: **51.5mm**
 Flange Spacing: **59mm**
 Option: **335R-3/8" Axle**



KT-3V5R Single Speed

Use: **Street, Flatland, Commuter, Alternative**
 Features: **Free coaster**
 Body: **Alloy 1 Piece Forged. CNC**
 Freewheel: **One-piece driver 9T**
 Bearing: **Sealed. x 4 pcs**
 Axle: **Cr-Mo Steel**
 Axle Dim: **M14*110mm*175mm**
 Weight: **698g**
 Spoke: **14G. 36**
 Flange PCD: **58mm**
 Flange Spacing: **60mm**
 Option: **Anodized Colors Per Order**





KT-12TF

Use: **Economic Street, Freestyle**
 Features: **Nut Type**
 Body: **Steel**
 Rolling System: **Balls Retainer**
 Axle: **S45C Steel**
 Axle Dim: **M14*100mm*165mm**
 Weight: **550g**
 Spoke: **14G. 36,48**
 Flange PCD: **61mm**
 Flange Spacing: **56mm**
 Option: **135F-3/8" Axle**



KT-12TR Single Speed

Use: **Economic Street, Freestyle**
 Features: **Nut Type**
 Body: **Steel**
 Freewheel: **Thread Type**
 Rolling System: **Balls Retainer**
 Axle: **S45C Steel**
 Axle Dim: **M14*110mm*165mm**
 Weight: **514g**
 Spoke: **14G. 36,48**
 Flange PCD: **61mm**
 Flange Spacing: **56mm**
 Option: **135R-3/8" Axle**

KT-11TF

Use: **Economic Street, Freestyle**
 Features: **Nut Type**
 Body: **Steel**
 Rolling System: **Balls Retainer**
 Axle: **S45C Steel**
 Axle Dim: **M14*100mm*170mm**
 Weight: **498g**
 Spoke: **14G. 36,48**
 Flange PCD: **45mm**
 Flange Spacing: **54mm**
 Option: **116F-3/8" Axle**



KT-11TR Single Speed

Use: **Economic Street, Freestyle**
 Features: **Nut Type**
 Body: **Steel**
 Freewheel: **Thread Type**
 Rolling System: **Balls Retainer**
 Axle: **S45C Steel**
 Axle Dim: **M14*110mm*175mm**
 Weight: **516g**
 Spoke: **14G. 36,48**
 Flange PCD: **45mm**
 Flange Spacing: **57mm**
 Option: **116R-3/8" Axle**

KT-104R Single Speed

Use: **Economic Street, Freestyle**
 Features: **Nut Type**
 Body: **Steel**
 Freewheel: **M30 Thread Type**
 Rolling System: **Balls Retainer**
 Axle: **S45C Steel**
 Axle Dim: **M14*110mm*175mm**
 Weight: **418g**
 Spoke: **14G. 36**
 Flange PCD: **45mm**
 Flange Spacing: **57mm**
 Option: **106R-3/8" Axle**



KT-325R 2sp

Use: **Cruiser, Commuter, Kids, Urban,**
 Features: **Internal 2 spd Coaster Brake**
 Body: **Steel**
 Freewheel: **8T/20T/22T sprocket**
 Rolling System: **Balls Retainer**
 Axle: **Cr-Mo Steel**
 Axle Dim: **3/8"*112mm*155mm**
 Weight: **1323g**
 Spoke: **14G. 36**
 Flange PCD: **63mm**
 Flange Spacing: **55mm**
 Option: **1:1.3**
 Shift Angle: **Shift Angle: 45-60**
 Brake Angle: **60-75**

KT-3A5R Single Speed

Use: **Cruiser, Commuter, Urban**
 Features: **Alloy Coaster Brake**
 Body: **Alloy 1 Piece Forged. CNC**
 Freewheel: **14T/16T/18T/20T/22T sprocket**
 Rolling System: **Balls Retainer**
 Axle: **Cr-Mo Steel**
 Axle Dim: **3/8"*110mm*167mm**
 Weight: **744g**
 Spoke: **14G. 32,36**
 Flange PCD: **51.5mm**
 Flange Spacing: **59mm**
 Option: **Anodized Colors Per Order**



KT-319R Single Speed

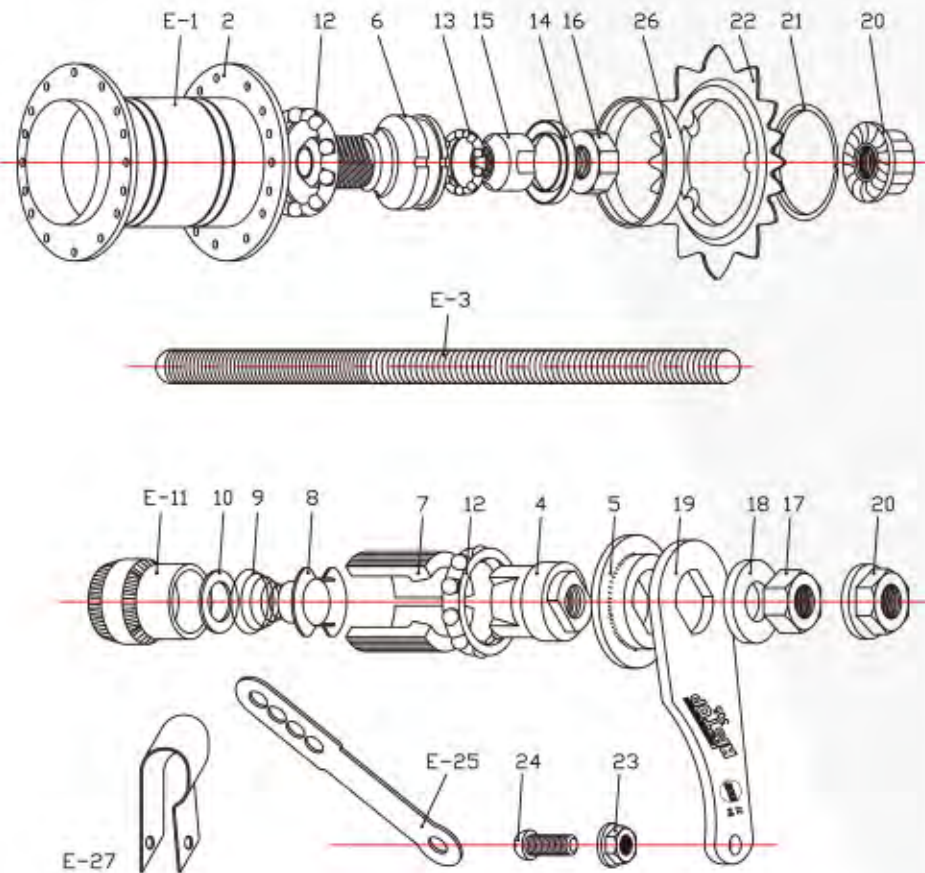
Use: **4" wide tire, Chopper, Urban, Alternative**
 Features: **Coaster Brake**
 Body: **Steel**
 Freewheel: **14T/16T/18T**
 Rolling System: **Balls Retainer**
 Axle: **Cr-Mo Steel**
 Axle Dim: **3/8"*24T*170mm*210mm**
 Weight: **1110g**
 Spoke: **14G. 36**
 Flange PCD: **51.5mm**
 Flange Spacing: **101.3mm**





KT-305R Single Speed

Use: Cruiser, Kids, Commuter, Urban
 Features: Coaster Brake
 Body: Steel
 Freewheel: 14T/16T/18T/20T/22T sprocket
 Rolling System: Balls Retainer
 Axle: Cr-Mo/S45C Steel
 Axle Dim: 3/8" x 110mm x 167mm
 Weight: 766g
 Spoke: 14G, 16, 20, 28, 32, 36
 Flange PCD: 51.5mm
 Flange Spacing: 47.7mm
 Option:
 305RA For Beach Cruisers 847.5g
 Cr-Mo Axle 10/12/13/14G x 32/36/40H
 305RB For BMX/Kids Bike
 S45C Axle 846g 14G x 12/16/20/28H
 305RC For Plastic Wheel
 S45C Axle 14G x 3/6H



PART NO.	DESCRIPTION
E-1	SHELL
E-2	FLANGE
E-3	AXLE
E-4	BRAKE CONE
E-5	DUST CAP
E-6	DRIVER
E-7	DRAKE SHOE
E-8	SPRING HOLDER
E-9	CLUTCH SPRING
E-10	CLUTCH WASHER
E-11	CLUTCH CONE
E-12	BALL RETAINER 7/32" x 9pcs
E-13	BALL RETAINER 1/4" x 7pcs
E-14	CONE COVER
E-15	CONE
E-16	LOCK NUT (A) 17x 7mm
E-17	LOCK NUT (A) 17x 9mm
E-18	WASHER
E-19	BRAKE ARM
E-20	FLANGE NUT 3/8" x 24T
E-21	LOCK RING
E-22	SPROCKET 14T, 16T, 18T, 19T, 20T, 22T
E-23	CLIP NUT
E-24	CLIP SCREW
E-25	ARM CLIP
E-26	DUST CAP
E-27	DENG ARM CLIP



KT-155F

Use: Adult Tricycle
 Features: Hub Shell
 Body: Steel
 Bearing: Sealed. x 2pcs
 Weight: 161g
 Spoke: 14G, 28, 36
 Flange PCD: 42mm
 Flange Spacing: 70mm



KT-16CR Single Speed

Use: Adult Tricycle
 Body: Steel
 Rolling System: Balls Retainer
 Axle: S45C Steel
 Axle Dim: 3/8" x 124mm x 175mm
 Weight: 685g



KT-762R

Use: UAdult Tricycle
 Features: Axle Set
 Freewheel: 22T Sprocket Single Speed
 Bearing: Bearing: Sealed. x 4pcs
 Axle Dim: M16.8 x 762mm
 Weight: 2491g
 Spoke: 14G, 28, 36
 Flange PCD: 42mm
 Flange Spacing: 70mm

KT-156F

Use: Adult Tricycle
 Features: Hub Shell
 Body: Steel
 Weight: 127g
 Spoke: 14G, 28, 36
 Flange PCD: 42mm
 Flange Spacing: 70mm



KT-3D5R Single Speed

Use: Adult Tricycle
 Body: Steel
 Rolling System: Balls Retainer
 Axle: Cr-Mo Steel
 Axle Dim: 3/8" x 110mm x 160mm
 Weight: 690g



204H/205H

Weight:50.5g/56.5g



204L/205L

Weight:56g/60g



- KT-205R** thread 18mm*M12x1.5 w/nut / Shimano type
- KT-205S** thread 20mm*M12x1.0 w/nut / Syntance type
- KT-205B** thread 20mm*M12x1.75 / Sram type

ID12 for Downhill rear hub
Weight:88g/86g/81g



204B

Weight:110g



MODEL	OLD	PITCH	B±1	THREAD LENGTH	WITH NUT	SYSTEM
ROAD	100	M12*P1.5	120	12	-	-
		M12*P1.5	121.5	13.5	-	SHIMANO
		M12*P1.5	125	16	-	SRAM
		M15*P1.5	125	16	-	SRAM
MTB	142	M12*P1.5	163.5	13.5	-	SHIMANO
		M12*P1.5	165	18	-	SHIMANO
		M12*P1.0	166	20	Y	SYNTACE
		M12*P1.0	166	20	-	DT SWISS
		M12*P1.75	167	20	-	SRAM
		M12*P1.5	170	18	Y	SHIMANO
		M12*P1.5	172	18	Y	SHIMANO
		M12*P1.75	174	20	-	SRAM
		M12*P1.5	178	18	Y	SHIMANO
		M12*P1.75	180	20	-	SRAM
FAT BIKE	150	M15*P1.5	199	12	-	ROCKSHOX
	197	M12*P1.5	227	18	Y	SHIMANO
MTB	100	M12*P1.75	229	20	-	SRAM
		M14*P1.5	145	16	Y	FOX
		M15*P1.5	150	20	-	SRAM

KT-204Y/KT-205Y

Weight:54g/61g



KT-258F/KT-259R

Weight:61g/66g



KT-204P/KT-205P

Weight:61g/66g



KT-206F/KT-207R

Weight:58g/116.5g



KT-260F/KT-261R

Weight:120g/160g



KT-204N/KT-205N

Weight:56g/61g



KT-202C/KT-203C

Weight:150g/213.5g



SPLINED TYPE

Loose Balls Type 8/9S:
KT-SB8-3:3 pawls
(Inner/outer seal included)
Weight:164g

**SCREWING TYPE**

Loose Balls Type:
KT-CB8:8/9S
KT-CB7:7S
(Inner/outer seal included)
Weight:184g

**ALLOY CASSETTE BODY TYPE**

Alloy cassette body for 4-5 seal bearing hubs
2 seal bearing
5 Pawls and 5 Spring
AL7075 Shimano 8/9/10/11 for MTB
AL7075 Sram 11/12 XD Driver for MTB

Cr-Mo CASSETTE BODY TYPE

Cr-Mo cassette body for 4-5 seal bearing hubs
2 seal bearing
3 Pawls and 1 Spring
Shimano 8/9/10/11 for MTB
Sram 11/12 XD Driver for MTB

**FIXED GEAR HUBS PARTS SET**

FG-14 for 14T sprocket
Available for 14-18T sprocket
Including Sprocket, Lock-ring & washer

**NUTS**

Color option:



Code:GD Code:YL Code:JQ Code:G4 Code:M1 Code:FH Code:DL Code:NS Code:CY Code:AT

淮安廠 : 明倫運動器材(淮安)有限公司
江蘇省淮安經濟技術開發區深圳東路289號 P.C.:223001

H.A. Factory No.289, ShenZhen East Road, Huai An Economic and
Technological Development Area, JiangSu Province
TEL:0086-(0)517-89897100 FAX:0086-(0)517-89897071

深圳辦公室/倉庫 : 深圳市光明新区公明镇上村莲塘工业区河堤路18号

S.Z. office / warehouse NO.18 Hedi Road,Shangcun Liantang Industrial, Gongming Town, SHENZHEN, China
TEL : 0086-(0)755-27726748
E-mail:kthub@kthub.com ktsales@kthub.com Web:www.ktgroup.net

昆山辦事處 : 江蘇省昆山市城北中路888号3号楼3樓

K.S. Office 3rd floor, 888 Chengbeizhong Road, Kunshan City, Jiangsu Province
TEL:0512-57760667 FAX:0512-50176248
E-mail:century-dream@163.com

浙江辦事處 : 浙江杭州市蕭山區原野汽配城8棟46號 P.C.:311200

Z.J. Office NO. 46 Building 8, YuanYe Auto Parts City XiaoShan District HangZhou City ZheJiang China
TEL:0086-571-82236146 FAX:0086-571-82652135
MOBILE:0086-13967153199

天津辦事處 : 中国北方自行车电动车城G1-212, 天津东丽区晋中街 P. C. 300300 D13

T.J. Office G1-212 Bicycle Electric Vehicle City, North China, Jinzhong Street, Dongli District, Tianjin
TEL : 0086(0)22-26790586 FAX : 0086(0)22-26790526
E-mail:kthub@yahoo.cn

台灣辦事處 : 42951台灣台中市神岡區庄前路28號

Taiwan Office No.28, Zhuangqian Rd., Shengang Dist., Taichung City 429, Taiwan (R.O.C.)
T:+886-4-2563-0919 F:+886-4-2563-0959
E-mail:leo@kthub.com

德國代理商 : TAIMCO

Taimco e.K.
Bahnhofstraße 11
32105 Bad Salzuflen (Germany)

Germany Agent TEL:0049(0)5222-639715 FAX:0049(0)5222-366870
E-mail:service@taimco.de Web:http://www.taimco.de/net

巴西代理商 : Joy Tech Com. Imp. e Exp. Ltda.

Brazil Agent website: www.joytech.com.br
e-mail: contato@joytech.com.br